

Digital Crane Scale LD / LDN

LDN OIML approved 0 - 50.000 kg
LD non approved 0 - 50.000 kg





For industrial application

Digital Crane Scale LDN / LD

Immediate use

No assembly required. Easily commissioned: Unpack – Hang on crane hook – start weighing. Portable, easily transferred to other cranes.



EHP Digital Crane Scale Mod. LDN OIML approved / Mod. LD non approved

- High accuracy, 0,03% F.S.
- 3-year warranty on accuracy and function of load cell
- Ultimate overload = 5:1
- Large 42mm high LED display
- Rapid display stabilisation through integrated measurement methods
- Automatic power off control
- Optical Overload indicator
- RAM protection included from 5t-version on
- OIML-approved scale EEC class III scale, OIML R76 approved for 2.500 divisions
- In house calibration facilities
- Competitive re-calibrations
- Optional weighing data transmission via radio to various receiving units

Accumulator with Charger

Rechargeable batteries provide continual operation of the crane scale. Maintenance free. A symbol shows when the battery has to be recharged.





LD/LDN 0,5 - 2t
without ram protection

Infrared Transmitter

(Remote control)

Enables the operator to select scale functions by remote control up to a distance of 30m from scale, including on/off, zero, print and tare.



LDN	OIML approved	0 - 50.000 kg
LD	non approved	0 - 50.000 kg

EHP Crane Scales use only high-quality electronic and mechanical components for reliability and safety. Optional radio transmission of the weighing data. Here the user can enter via the remote control, a 5 digit e.g. identification code number and send with the weighing data to a computer via radio transmission.

Optional: Weighing data transmission by radio

(network compatible)

- | | |
|------------------------------------|----------------|
| 1. Large Display | 5. EHP USB Box |
| 2. Teledata | 6. Greybox |
| 3. Wireless remote control DRC 433 | 7. Telebox SPS |
| 4. Netscale | 8. D 800 |

Weighing datas can be transferred by radio to several receiving units with an integrated interface RS232 (v.24)

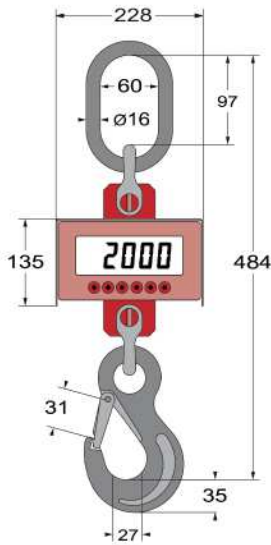




Specifications **Digital Crane Scale** **LDN / LD**

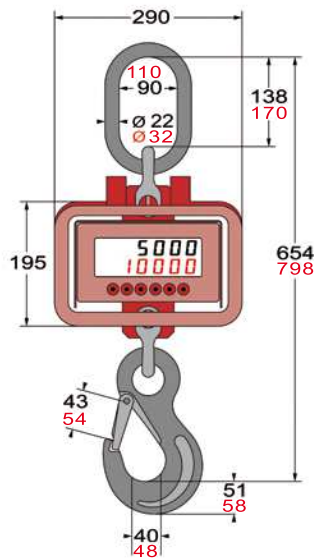


LD/LDN 0,5 - 2



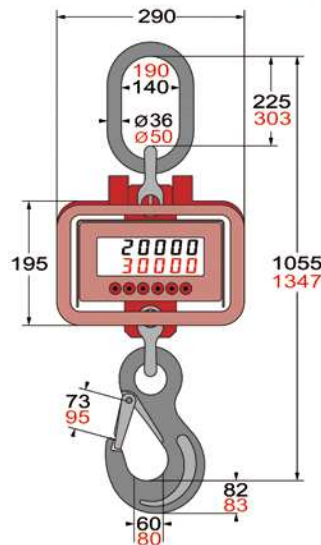
LD 5 - 10 / LDN 5 - 10

(rote Maßeinheit entspricht LD/LDN 10)



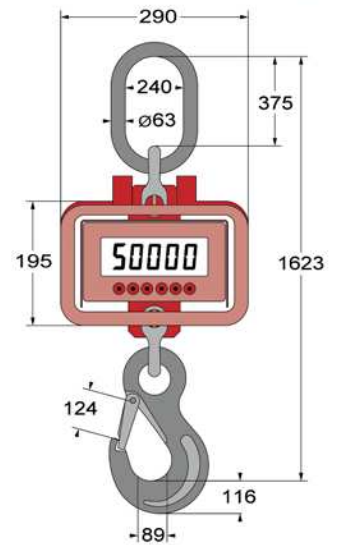
LD 20 - 30 / LDN 20 - 30

(rote Maßeinheit entspricht LD/LDN 30)



LD/LDN 50

(red unit corresponds LD/LDN 30)



Typ LDN OIML approved	Range (kg)	Self weight (kg)	Increments
LDN 0,5	0 - 500	12	0,2
LDN 1	0 - 1.000	12	0,5
LDN 2	0 - 2.000	12	1,0
LDN 5	0 - 5.000	18	2,0
LDN 10	0 - 10.000	35	5,0
LDN 20	0 - 20.000	48,5	10,0
LDN 30	0 - 30.000	94	20,0
LDN 50	0 - 50.000	182	20,0

special applications on request

Typ LD non approved	Range (kg)	Self weight (kg)	Increments
LD 0,5	0 - 500	12	0,1
LD 1	0 - 1.000	12	0,2
LD 2	0 - 2.000	12	0,5
LD 5	0 - 5.000	18	1,0
LD 10	0 - 10.000	35	2,0
LD 20	0 - 20.000	48,5	10,0
LD 30	0 - 30.000	94	10,0
LD 50	0 - 50.000	182	20,0



EG-Bauartzulassung
Zulassungs-Nr. D03-09-024

- Measuring principle:** DMS load cell
- Accuracy:** 0,03% F.S.
- Digital display:** LED 7-Segments. 1 display/second
- Height of figures:** 42mm, Display legible up to a distance of 40m
- Power source:** maintenance free 6 V accumulators, rechargeable, up to 120 hrs of use between charges
- Ingress protection:** IP 54



EHP-Wägetechnik GmbH

Dieselstraße 8
D-77815 Bühl

Fon +49(0)7223.9366-0
Fax +49(0)7223.9366-60

info@ehp.de
www.ehp.de