

T35



COMPRESSION COLUMN LOAD CELL FOR WEIGHBRIDGES/TRUCK SCALES

capacities 30t, 40t



This stainless steel self-centering rocker column load cell is fully welded and hermetically sealed, with protection to IP68/IP69K. It is an ideal solution for weighbridges/truck scales thanks to its approval to OIML C3 (3000 divisions), as well as in-built lightning surge arrestors and a tough, durable polyurethane cable. Anti-rotation is achieved by means of 2 flat faces on either side of the load cell base, with corresponding flat faces in the lower mounting cup.

Corner correction at the junction box is minimised because the T35 is pre-corner adjustment optimised at $\pm 0.05\%$ by output current calibration (in $mV/V/\Omega$). This saves a significant amount of time during commissioning.

For use in weighbridges/truck scales a set of zinc plated steel mounting cups, centering discs and bolts is available as an optional item.

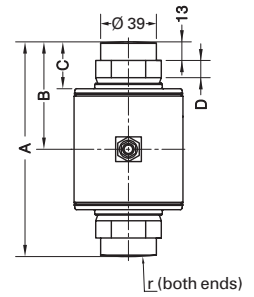
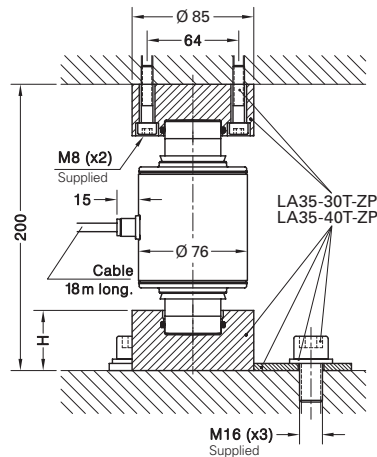
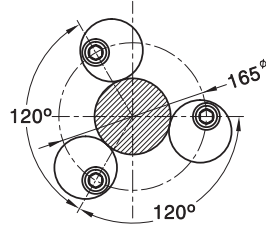
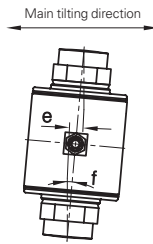
For applications in aggressive environments where stress corrosion or acid attack could be an issue, a special Parylene coating can be specified as an option. The T35 is also available with a High Temperature option.

- Stainless steel load sensor
- Fully welded and hermetically sealed to IP68/IP69K
- In-built surge arrestors for lightning protection
- Calibrated in $mV/V/\Omega$ for pre-corner adjustment optimisation
- Simple installation
- Self-centering rocker column design with flat anti-rotation faces
- Approval to OIML R60 C3 (3000 divisions)
- Mounting cup accessories available
- High Temperature option available
- 3 year warranty



T35

technical specification...



T35 Load Cell

	Load cell specification		Units
Load Cell Capacities (E_{max})	30, 40		tonnes
Rated Output (S_n)	2		mV/V *
Accuracy Class	3000		n. OIML
Combined error	$< \pm 0.017$		% S_n
Non-repeatability	$< \pm 0.015$		% S_n
Minimum load cell verification interval (v_{min}) = E_{max} / Y	$E_{max} / 10000$		tonnes
Creep (30 minutes)	$< \pm 0.016$		% *
Temperature Effect on Zero Balance	$< \pm 0.002$		% $S_n / ^\circ C$
Temperature Effect on Span	$< \pm 0.0012$		% $S_n / ^\circ C$
Compensated Temperature Range	-10 to +40		$^\circ C$
Operating Temperature Range	-50 to +70		$^\circ C$
Safe Overload	200		% E_{max}
Ultimate Overload	350		% E_{max}
Zero Balance	± 2		% S_n
Input Resistance	1150		$\Omega \pm 50$
Output Resistance	1005		$\Omega \pm 5$
Insulation Resistance	> 5000		M Ω @100V
Recommended Supply Voltage	5-15		V
Maximum Supply Voltage	15		V
Environmental Protection	IP68 / IP69K		-
Maximum deflection at E_{max}	0.6 - 1		mm
Cable Length	18		m
Cable Material	Polyurethane		-
Nominal Shipping Weight	30t	Load Cell	3.4 kg
		Accessory	4.2 kg
	40t	Load Cell	3.6 kg
		Accessory	3.7 kg

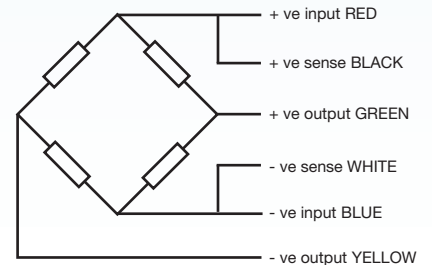
* Pre-corner adjustment optimised at $\pm 0.05\%$ by output current calibration

Dimensions

Capacity	30t	40t
A	140	150
B	70	75
C	28	33
D	7	12
e max.	10.5	10
f max. permitted tilting	5°	5°
r Radius	180	235

Accessory	Dim H.
LA35-30T-ZP	52
LA35-40T-ZP	42

All dimensions are in mm



Electrical Connections

Via 6 wire, 5.7mm diameter, screened polyurethane cable.
Screen not connected electrically to load cell.

Construction

Load cell manufactured from stainless steel

Options

Mounting accessory set comprising zinc plated steel top & bottom mounting cups, centering discs, 3 off M16 bolts and 2 off M8 bolts.
Part number LA35-30T-ZP (30t capacity) or LA35-40T-ZP (40t capacity).

DISTRIBUTED BY:



THAMES SIDE SENSORS LTD

Unit 10, io Trade Centre, Deacon Way, Reading, Berkshire RG30 6AZ, UK

tel: +44 (0) 118 941 1387
fax: +44 (0) 118 941 2004

sales@thames-side.co.uk
www.thames-side.com

Issue: T35.07.18



Our policy is one of continuous product enhancement. We therefore reserve the right to incorporate technical modifications without prior notification.

